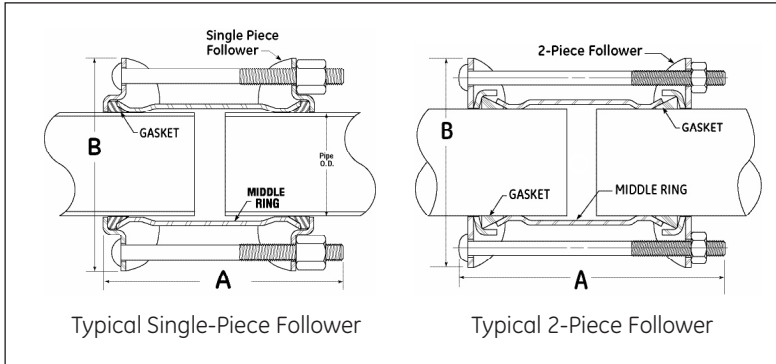


DRESSER NGS - Product Submittal

Style 40 Long Body Couplings for Steel Pipe



Style 40 Materials of Construction

Followers:	AISI C1012 or ASME SA36 (Ductile Iron or Malleable Iron for 1/2" thru 1-1/2")
Middle Ring:	ASTM A513, ASTM A635 or ASME SA675 GR60
Bolts:	AWWA C 111/ANSI A21.11
Gaskets:	Grade 27 BUNA-S as Standard
Coating:	Fusion-Bonded Epoxy; Optional RED-D Shopcoat

Style 40 Coupling Specifications For Steel Pipe Sizes 2" thru 8"

Pipe Nominal Size (IN)	Outside Pipe Diameter (OD)	Middle Ring Thickness & Length (IN)	Bolts No./Diam. x Length (IN)	Overall Dimensions		Working Pressure Lbs. per Sq.In.	Approx. Shipping Weight (lbs.)
				Diameter (B)	Length (A)		
1/2	.840	.156 x 12	2-1/2 x 14	3-1/2	15-5/8	1500	4-1/2
3/4	1.050	.156 x 12	2-1/2 x 14	3-13/16	15-5/8	1500	5
1	1.315	.148 x 12	2-1/2 x 14	4-1/16	15-5/8	1500	6
1-1/4	1.660	.154 x 12	2-1/2 x 14	4-7/16	15-5/8	1500	6-1/2
1-1/2	1.900	.165 x 12	2-1/2 x 14	4-3/4	15-5/8	1500	7-1/2
2	2.375	.156 x 12	3-1/2 x 15	6-1/4	17	1500	15
2	2.375	.156 x 24	3-1/2 x 28	6-1/4	29	1500	33
2-1/2	2.875	.180 x 12	3-5/8 x 15	7	17	1500	12
2-1/2	2.875	.180 x 24	3-5/8 x 28	7	29	1500	20-1/2
3	3.500	.156 x 12	4-5/8 x 12-3/4	8	15	1500	23
3	3.500	.156 x 24	4-5/8 x 28	8	29	1500	40
3-1/2	4.000	.188 x 12	4-5/8 x 12-3/4	8-5/8	15	1175	25
4	4.500	.188 x 12	4-5/8 x 12-3/4	9	15	1063	28
4	4.500	.188 x 24	4-5/8 x 28	9	29	1063	44
4-1/2	5.000	.229 x 12	4-5/8 x 12-3/4	9	15	930	30
5	5.500	.280 x 16	4-5/8 x 19-1/2	9	21	1162	41
5	5.563	.280 x 16	4-5/8 x 19-1/2	10-3/8	21	1162	51
5-5/8	6.000	.280 x 16	6-5/8 x 19-1/2	10-3/8	21	935	66
6	6.625	1/4 x 16	6-5/8 x 19-1/2	11-1/4	21	968	54
6	6.625	1/4 x 24	6-5/8 x 28	11-1/4	29	968	60
6-5/8	7.000	1/4 x 16	6-5/8 x 19-1/2	11-3/4	21	923	54
7-5/8	8.000	1/4 x 16	6-5/8 x 19-1/2	13-1/4	21	822	60
8	8.625	1/4 x 16	6-5/8 x 19-1/2	13-1/4	21	769	63
8	8.625	1/4 x 24	6-5/8 x 28	13-7/8	29	769	85

CONSULT FACTORY FOR ALTERNATIVE GASKETS AND PART NUMBERS

Natural Gas Solutions reserves the right to make changes in specifications and features shown herein, or discontinue any products described at any time without notice or obligation. Contact your Dresser Natural Gas Solutions representative for the most current information.

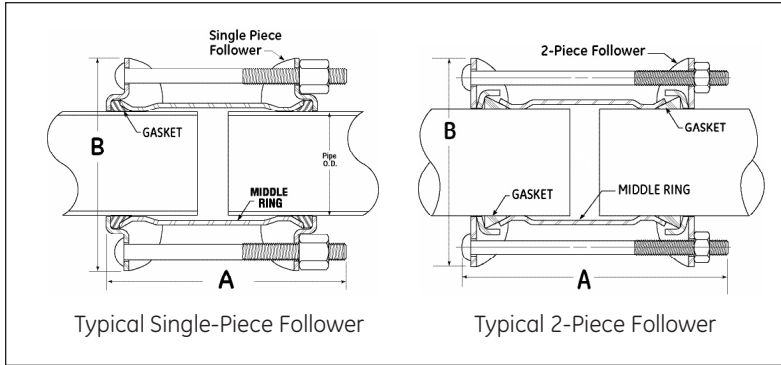


Dresser™ Pipeline Solutions
 41 Fisher Avenue
 Bradford, PA 16701
 P: 814.362.9200
 F: 814.362.9344
 www.dresserngs.com

© 2019 Natural Gas Solutions North America, LLC. The Dresser Logo and all Trademarks containing the term "Dresser" are the property of Dresser, LLC, a subsidiary of Baker Hughes, a GE Company.

DRESSER NGS - Product Submittal

Style 40 Long Body Couplings for Steel Pipe



Style 40 Materials of Construction

Followers:	AISI C1012 or ASME SA36 (Ductile Iron or Malleable Iron for 1/2" thru 1-1/2")
Middle Ring:	ASTM A513, ASTM A635 or ASME SA675 GR60
Bolts:	AWWA C 111/ANSI A21.11
Gaskets:	Grade 27 BUNA-S as Standard
Coating:	Grey Epoxy ID/OD as Standard; Optional RED-D Shopcoat

Style 40 Coupling Specifications For Steel Pipe Sizes 10" thru 24"

Pipe Nominal Size (IN)	Outside Pipe Diameter (OD)	Middle Ring Thickness & Length (IN)	Bolts No./Diam. x Length (IN)	Overall Dimensions		Working Pressure Lbs. per Sq.In.	Approx. Shipping Weight (lbs.)
				Diameter (B)	Length (A)		
9-5/8	10.000	1/4 x 16	8-5/8 x 19-1/2	13-7/8	21	674	75
10	10.750	1/4 x 24	8-5/8 x 28	14-5/8	29	632	81
10	10.750	1/4 x 16	8-5/8 x 19-1/2	14-5/8	21	632	109
11-5/8	12.000	1/4 x 16	8-5/8 x 19-1/2	16	21	571	87
12	12.750	1/4 x 16	8-5/8 x 19-1/2	16-3/4	21-3/4	520	119
12	12.750	3/8 x 24	8-5/8 x 28	17-1/8	29-3/4	796	165
14	14.000	1/4 x 16	8-5/8 x 19-1/2	18	21-3/4	510	130
16	16.000	1/4 x 16	10-5/8 x 19-1/2	21	21-3/4	449	148
16	16.000	3/8 x 24	10-5/8 x 28	21	29-3/4	595	200
18	18.000	1/4 x 16	10-5/8 x 19-1/2	22	21-3/4	400	175
18	18.000	3/8 x 24	10-5/8 x 28	23	29-3/4	581	235
20	20.000	1/4 x 16	12-5/8 x 19-1/2	24	21-3/4	362	201
20	20.000	3/8 x 24	12-5/8 x 28	25	29-3/4	538	269
22	22.000	1/4 x 16	14-5/8 x 19-1/2	26	22-3/4	330	224
22	22.000	3/8 x 24	14-5/8 x 28	27	30-3/4	491	299
24	24.000	1/4 x 16	14-5/8 x 19-1/2	28	22-3/4	304	240
24	24.000	3/8 x 24	14-5/8 x 28	29	30-3/4	451	325

CONSULT FACTORY FOR ALTERNATIVE GASKETS AND PART NUMBERS

Natural Gas Solutions reserves the right to make changes in specifications and features shown herein, or discontinue any products described at any time without notice or obligation. Contact your Dresser Natural Gas Solutions representative for the most current information.



Dresser™ Pipeline Solutions
 41 Fisher Avenue
 Bradford, PA 16701
 P: 814.362.9200
 F: 814.362.9344
 www.dresserngs.com

© 2019 Natural Gas Solutions North America, LLC. The Dresser Logo and all Trademarks containing the term "Dresser" are the property of Dresser, LLC, a subsidiary of Baker Hughes, a GE Company.