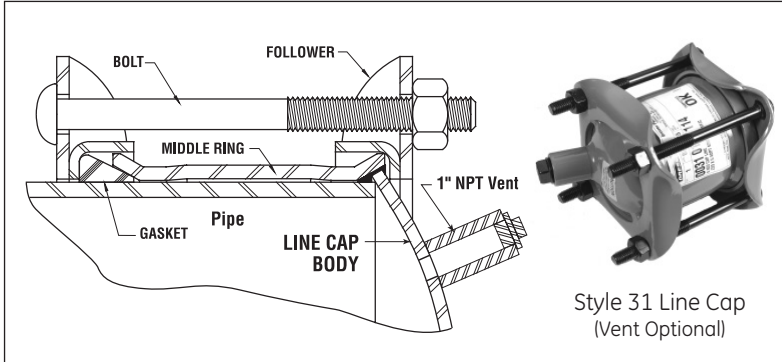


DRESSER NGS - Product Submittal

Style 31 Line Cap

For close-off, testing and capping “dead-ends” for future branch extensions

*MAOP for all sizes is 150PSI



Materials of Construction

Followers:	AISI C1012 or ASME SA36 (Ductile Iron or Malleable Iron for 1/2” thru 1-1/2”)
Middle Ring:	ASTM A513, ASTM A635 or ASME SA675 GR60
Bolts:	AWWA C 111/ANSI A21.11
Gaskets:	Grade 27 BUNA-S as Standard
Coating:	Fusion-Bonded Epoxy;

Style 31 Line Cap Specifications for Pipe Sizes 2” thru 24”

FOR STEEL PIPE . Consult factory for custom sizes.

Pipe Nominal Size (IN)	Outside Pipe Diameter (OD)	Middle Ring Thickness & Length (IN)	Bolts No./Diam. x Length (IN)	Approx. Shipping Weight (lbs.)
2	2.375	.187 x 5	3-5/8 x 8-1/4	12
3	3.500	.203 x 2-1/2	4-5/8 x 6	16
4	4.500	5/16 x 3-1/2	4-5/8 x 6	19
6	6.625	5/16 x 3-1/2	6-5/8 x 6	28
8	8.625	3/8 x 5	6-5/8 x 8-1/4	37
10	10.750	3/8 x 5	8-5/8 x 10-3/4	50
12	12.750	3/8 x 5	8-5/8 x 10-3/4	58
14	14.000	3/8 x 7	10-5/8 x 10-3/4	73
16	16.000	3/8 x 7	10-5/8 x 10-3/4	86
18	18.000	3/8 x 7	12-5/8 x 10-3/4	98
20	20.000	3/8 x 7	12-5/8 x 10-3/4	113
24	24.000	3/8 x 7	15-5/8 x 10-3/4	187

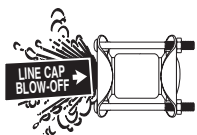
FOR CIP/DIP PIPE . Consult factory for custom sizes.

Pipe Nominal Size (IN)	Outside Pipe Diameter (OD)	Middle Ring Thickness & Length (IN)	Bolts No./Diam. x Length (IN)	Approx. Shipping Weight (lbs.)
2	2.500	.187 x 5	3-5/8 x 8-1/4	12
3	3.800	.203 x 2-1/2	4-5/8 x 6	13
3	3.960	.203 x 5"	4-5/8 x 8-1/4	18
4	4.800	5/16 x 3-1/2	4-5/8 x 6	17
4	5.000	5/16 x 3-1/2	4-5/8 x 6	17
6	6.900	5/16 x 3-1/2	6-5/8 x 6	27
6	7.100	5/16 x 3-1/2	6-5/8 x 6	27
8	9.050	5/8 x 5	6-5/8 x 8-1/4	42
8	9.300	5/8 x 5	6-5/8 x 8-1/4	45
10	11.100	3/8 x 7	8-5/8 x 10-3/4	71
10	11.400	3/8 x 7	8-5/8 x 10-3/4	72
12	13.200	3/8 x 7	8-5/8 x 10-3/4	100
12	13.500	3/8 x 7	8-5/8 x 10-3/4	106
14	15.300	3/8 x 7	10-5/8 x 10-3/4	120
14	15.650	3/8 x 7	10-5/8 x 10-3/4	124
16	17.400	3/8 x 7	10-5/8 x 10-3/4	136
16	17.800	3/8 x 7	10-5/8 x 10-3/4	147
18	19.500	3/8 x 7	12-5/8 x 10-3/4	163
18	19.920	3/8 x 7	12-5/8 x 10-3/4	167
20	21.600	3/8 x 7	12-5/8 x 10-3/4	183
20	22.060	3/8 x 7	14-5/8 x 10-3/4	192
24	25.800	3/8 x 7	15-5/8 x 10-3/4	230

NOTE: All Style 31 Line Caps supplied with 1" vents as standard. Larger sizes are available. Consult factory for your particular requirements.

*Higher pressures available per application.

WARNING



Style 31 Line Caps MUST NOT be used under pressure without anchorage or blocking sufficient to withstand the entire longitudinal thrust due to internal pressure. Failure to do so could allow line cap to blow off the line, causing serious injury or death. Also, escaping line content could cause property damage, serious injury or death!



Dresser™ Pipeline Solutions
 41 Fisher Avenue
 Bradford, PA 16701
 P: 814.362.9200
 F: 814.362.9344
 www.dresserngs.com

© 2019 Natural Gas Solutions North America, LLC. The Dresser Logo and all Trademarks containing the term “Dresser” are the property of Dresser, LLC, a subsidiary of Baker Hughes, a GE Company.