

Series 2200

Electric Driven Injection Pump



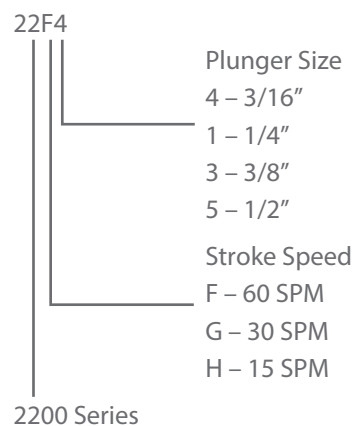
Product features

- 1/4 horsepower motor is available in TENV or Explosion Proof, single or three phase
- The stroke adjustment is adjustable while running
- Fluid ends are 316 stainless steel
- Four plunger sizes are available; 3/16", 1/4", 3/8", and 1/2"
- The geared motor has a built in gear reducer available in 15, 30, 60 strokes per minute
- Maximum volume of 130 gallons per day (duplex model)
- Maximum discharge pressure 1,000 PSI
- Modular design allows easily interchangeable fluid ends
- Motors meet CSA and UL specifications
- Oil-less-requires minimal lubrication for long life

Options

- Ceramic plungers which provide longer packing life

Model designation

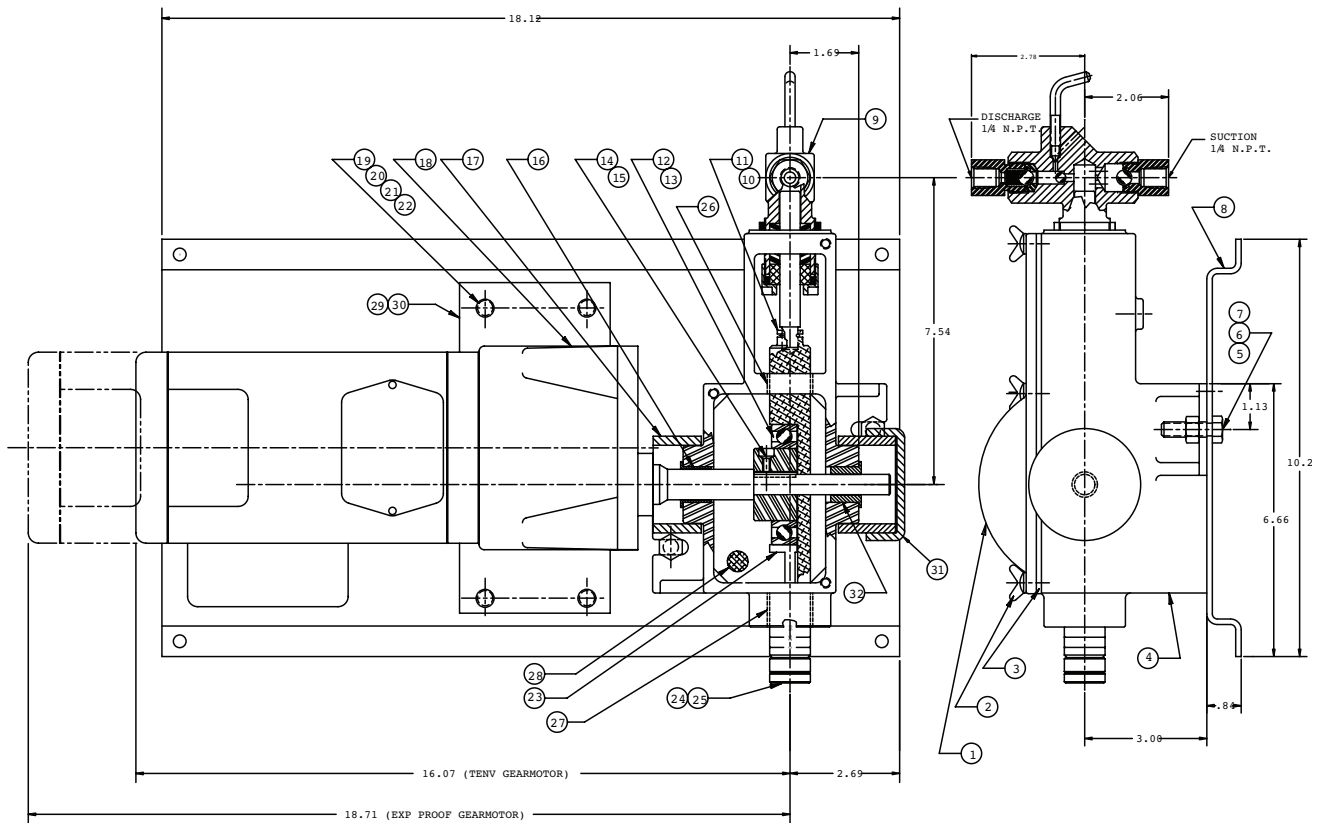


Series 2200 with 1/4 HP Motor

Model Number	Plunger Size	SPM	Maximum GPD @ 1000 PSI
2204	3/16"	15	2.19
		30	4.37
		60	8.74
2201	1/4"	15	3.84
		30	7.68
		60	15.36
2203	3/8"	15	8.64
		30	7.28
		60	34.56
2205	1/2"	15	15.36
		30	30.72
		60	61.44

Parts List

Item	B/P No.	No. Req.	Name	Material
1	TB1483	1	COVER	ASTM A48 C.I.
2	P86-025075-0200	4	1/4-20 x 3/4 THUMBSCR	CAD PL. C.STL.
3	TA5963	1	GASKET COVER	NITRILE
4	TC2048	1	HOUSING	ASTM A48 C.I.
5	P01-031125-3900	5	HHCS 5/16-18 x 1.25	CAD PL. C.STL
6	P25-031000-0200	5	NUT, HEX 5/16-18	CAD PL. C.STL
7	P53-031000-0200	3	CUT WASHER 5/16	CAD PL. C.STL
8	TB1492	1	BASE PL. SIMPLEX	GALV.STL.
9	TB1472	1	3/16 SS LP HEAD ASS'Y	316 SST
	TB1557		1/4 SS LP HEAD ASS'Y.	316 SST
	TB1558		3/8 SS LP HEAD ASS'Y	316 SST
	TB1559		1/2 SS LP HEAD ASS'Y	316 SST
10	TA5953	1	DRIVE CLIP	STEEL
11	TB1542	1	CROSS HEAD	AISI 4140 HR STL
12	TA5823	1	ECCENTRIC CAM	C 1018 STL.
13	TA5830	1	ROLLER BEARING	STEEL
14	P20-N10025-0100	1	10-24UNC x 1/4 ST.SCR	STEEL
15	TA6386	1	KEY	STEEL
16	TA5832	2	SLEEVE BEARING	NYLON
17	TA5826	1	SHAFT GUARD	PVC
18		1	GEAR MOTOR	
19	P25-031000-3900	4	HHCS 3/8-16 x 1.25	CAD PL. C.STL.
20	P25-037000-0200	4	NUT, HEX 3/8-16	CAD PL. C.STL.
21	P52-037000-0200	4	LOCKWASHER 3/8 REG	CAD PL. C.STL.
22	TA0746	4	WASHER, 3/8 FLT	CAD PL. C.STL.
23	TA5822	1	STROKE ADJUSTER	C1213 C.R.S.
24	TA5824	1	LOCK NUT STROKE ADJ.	416 SS
25	TA5825	1	ADJUSTING SCREW	416 SS
26	TA5964	1	CROSS HEAD BEARING SHORT	INJHOLD NYLON
27	TA5965	1	CROSS HEAD BEARING LONG	INJHOLD NYLON
28	TA5966	1	VENT SCREEN	SS
29	TC2126	1	BRACKET	CS ZINC PLT
30	TA2585	1	BUMPER	PLASTIC HOSE
31	TA6938	1	DRIVE SHAFT END CAP	PVC
32	TA6935	1	BRG DRIVE SHAFT SMALL	DEVLON
33	TA6936	1	BRG DRIVE SHAFT LARGE	DEVLON

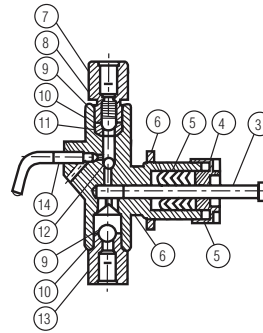
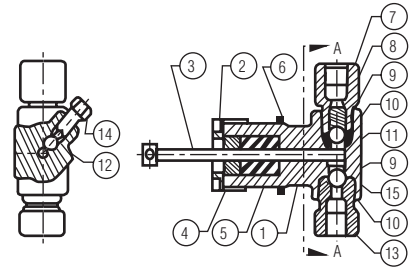


Injector Head Parts List						
Item	Description	Material	Part Number			
			3/16"	1/4"	3/8"	1/2"
1	Body	SS	TC 2040	TC 0291	TC 0425	TB 0349
2	Gland Nut	303SS	TA 4104	TA 4104	TA 4104	TA 4104
3*	Plunger	17-4PH	TA 6082	TA 6079	TA 6080	TA 6081
4	Gland	303-SS	TA 5642	TA 1463	TA 0957	TA 1219
5*	Plunger Packing**	Buna-N	TA 3969	TA 1461	TA 1456	TA 0959
		Hard	TA 3948	TA 2295	TA 1875	TA 1874
		Viton	TA 3967	TA 4102	TA 4101	TA 4103
		Teflon	TA 3966	TA 1642	TA 1234	TA 1012
6*	Lock Nut	Brass	TA 0225	TA 0225	TA 0225	TA 0225
7	Top Bushing	303-SS	TA 1496	TA 1496	TA 1496	TA 1496
8*	Ball Check Spring	316-SS	TA 0077	TA 0077	TA 0077	TA 0077
9*	Large Ball 1/8"	316-SS	TA 0054	TA 0054	TA 0054	TA 0054
10*	O-Ring	Buna-N	TA 0479	TA 0479	TA 0479	TA 0479
		Viton	TA 2580	TA 2580	TA 2580	TA 2580
11	Top Check Seat	303.SS	TB 0734	TB 0734	TB 0734	TB 0734
12*	Small Ball 1/2"	316-SS	TA 0126	TA 0126	TA 0126	TA 0126
13	Bottom Bushing	303-SS	TB 1213	TB 1213	TB 1213	TB 1213
14	Priming Valve	303SS	TA 5462	TA 1497	TA 1497	TA 1497
15	Gasket	304-SS	TA 4394			

* Recommended Spare Parts

** See table back page

Plunger Size	Assembly Number
3/16"	TB-1560



Plunger Size	Assembly Number
1/4"	TB-1557
3/8"	TB-1558
1/2"	TB-1559

2200 Installation and Start-Up Instructions

Installation

- Pump Location – An Important Factor
- Plan ahead for proper pump mounting-position it to provide for efficient routing of suction and discharge lines, as well as electric service.
- Avoid long suction lines.
- Provide for a flooded suction line whenever possible.
- Pump fluid lines and connections operate best when there is a minimum restriction to the flow.
- Install the proper disconnect switches.
- It is recommended that a solid mounting support be provided—take advantage of the factory installed holes in the base plate for securing the pump.

Fluid end

- All fluid connections, both suction and discharge, should be sealed tight. Fluid end connections are 1/4" NPT.
- The suction connection is at the bottom of the fluid end, and the discharge connection is at the top.

Motor

- A conduit connection is provided at the motor for electrical connections.
- Assure the proper electrical service has been provided.
- Assure all connections are tight, in their proper location, properly grounded, and fused.

Start up

- Open the priming valve on the fluid end assembly
- Start the pump motor
- Allow the pump to run until a clear, bubble-free stream of media comes out of the priming valve. Close the priming valve
- Check the packing for proper sealing. If it leaks, stop the pump and make the necessary adjustments
- Adjust the stroke adjustment knob to obtain the desired flow rate

Preventive maintenance

- check periodically (minimum once a month) and apply a small amount of grease to the cam bearing and to the crosshead areas that cycle through the linear bearings.
- Check the packing regularly. If leakage is observed, stop the pump. Make a small adjustment by turning the gland nut. Restart the pump.
- (Do not over-tighten the packing as this will reduce the packing life and possibly damage the plunger.

It is always important to assure the packing material is compatible with the media being pumped – check for swollen or deteriorated seals.

Industrial Products Group

Texsteam Pumps

16240 Port Northwest Drive

Houston, TX 77041

T: 832-590-2306

Toll Free: 1-800-945-9898

© 2020 Natural Gas Solutions North America, LLC – All rights reserved. Natural Gas Solutions reserves the right to make changes in specifications and features shown herein, or discontinue the product described at any time without notice or obligation. Contact your Dresser Natural Gas Solutions representative for the most current information. The Dresser Logo and all Trademarks containing the term "Dresser" are the property of Dresser, LLC, a subsidiary of Baker Hughes, a GE Company.



www.dresserngs.com

Texsteam 2200 Series IOM NGS.IPG.0055

10.20