

## Style 711 Bolted Couplings

For Seal & Restraining Joints on any combination of Steel, PE and Cast Iron Pipe

**100% COMPLIANT TO DOT 192.281(e) - ASTM F1948 CATEGORY 1**

Meeting all requirements of the Category 1 Code of Federal Regulations, Dresser has introduced an enhanced design upgrade of the Style 711 seal & restraining coupling product line.

The combination of components on the compression end(s) of the Style 711 product design results in a pressure seal while the metallic gripping mechanism locks the pipe against pull-out providing a complete seal and restraining connection.

Insert stiffeners for PE pipe in all SDR sizes commonly used in natural gas piping systems can be furnished by Dresser. Pipe inserts are color-coded to assist with the identification of proper SDR.

Style 711 couplings offer the convenience of an assembled stab product, essentially eliminating the component disassembly while helping to ensure proper installation. The Style 711 coupling is supplied with AL-CLAD™ epoxy coating as standard. Applied under rigidly controlled factory conditions, this coating offers quality and integrity unlike any field-applied coating.

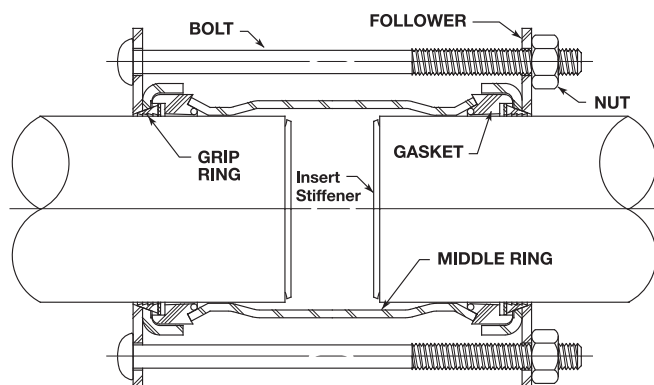


### For Steel, PE and Cast Iron Connections

- Straight couplings, insulating and conductive
- Reducing couplings, insulating and conductive
- Flange Adapters
- Line Caps

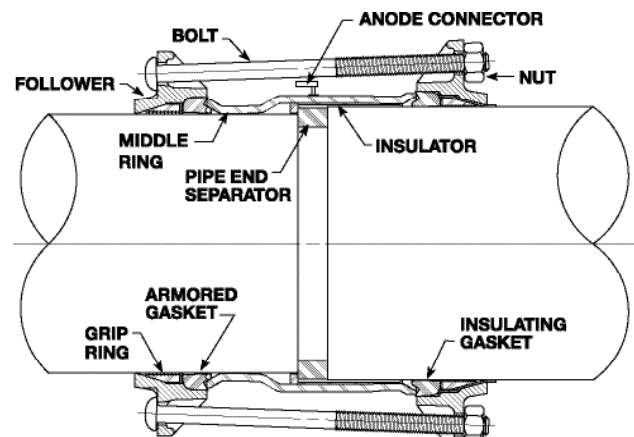
### Style 711 Conductive Coupling

Style 711 conductive couplings feature armored pinned gaskets for cathodic protection, while 4140 carbon steel slotted grip rings provide pipe restraint. Middle ring and followers are constructed of mild carbon steel or ductile iron. All Style 711 products are provided with AL-CLAD fusion-bonded epoxy coating as standard.



### Style 711 Insulating Coupling

Style 711 insulating couplings offer the same seal and restraining principle, but feature insulating characteristics. PPO thermoplastic follower insulators, PP body insulators and HDPE/PVC pipe end spacers provide electrical isolation when joining dissimilar alloy or vintage metallic piping.



## Style 711 Bolted Couplings for PE to PE\*, PE to Steel and Steel to Steel Connections Conductive Sizes 1-1/4" - 12"

| Pipe Size Nominal | Diameter | Product Ratings       |                                    | Polyethylene Pipe Pullout Resistance up to the Max. Wall Listed<br>Meets or Exceeds D.O.T. 192.281 (e) (See Notes) |                                 |
|-------------------|----------|-----------------------|------------------------------------|--|---------------------------------|
|                   |          | Max. Sealing Pressure | Max. Steel Pipe Pullout Resistance | PE PIPE INSERT   | Weight per Coupling Less Insert |
| 1-1/4             | 1.660    | 150 psi               | 2,500 lbs                          | SDR 9.3  | 5                               |
| 2                 | 2.375    | 150 psi               | 6,300 lbs                          | SDR 9.3  | 8                               |
| 3                 | 3.500    | 300 psi               | 13,000 lbs                         | SDR 11   | 16                              |
| 4                 | 4.500    | 300 psi               | 15,000 lbs                         | SDR 11   | 25                              |
| 6                 | 6.625    | 300 psi               | 30,000 lbs                         | SDR 11   | 50                              |
| 8                 | 8.625    | 150 psi               | 47,000 lbs                         | SDR 11   | 75                              |
| 10**              | 10.750   | -                     | -                                  | -  | -                               |
| 12                | 12.750   | 150 psi               | 115,000 lbs                        | SDR 11   | 155                             |

\*\* 10" Pending Availability Q4 2020

## Insulating Sizes 2" - 12" Insulating End ASTM F1948 CAT 1 (Steel Only)

| Pipe Size Nominal | Diameter | Product Ratings       |                                    | Polyethylene Pipe Pullout Resistance up to the Max. Wall Listed<br>Meets or Exceeds D.O.T. 192.281 (e) (See Notes) |                                 |
|-------------------|----------|-----------------------|------------------------------------|--|---------------------------------|
|                   |          | Max. Sealing Pressure | Max. Steel Pipe Pullout Resistance | PE PIPE INSERT   | Weight per Coupling Less Insert |
| 2                 | 2.375    | 150 psi               | 6,300 lbs                          | SDR 9.3  | 8                               |
| 3                 | 3.500    | 300 psi               | 13,000 lbs                         | SDR 11   | 16                              |
| 4                 | 4.500    | 300 psi               | 15,000 lbs                         | SDR 11   | 25                              |
| 6                 | 6.625    | 300 psi               | 30,000 lbs                         | SDR 11   | 50                              |
| 8                 | 8.625    | 150 psi               | 47,000 lbs                         | SDR 11   | 77                              |
| 12                | 12.750   | 150 psi               | 115,000 lbs                        | SDR 11   | 155                             |

NOTE 1: For wall thickness greater than SDR listed, contact Dresser for recommendation.

Pull-out resistance is based on using Dresser reinforcing pipe inserts.

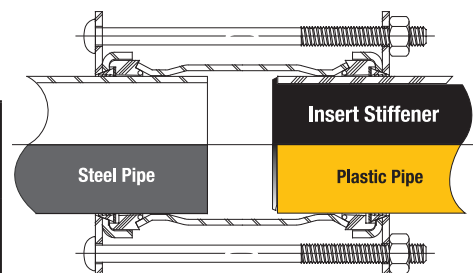
NOTE 2: For all sizes and configurations, please refer to your Dresser Price List or contact your Dresser sales representative.

\* Polyethylene Pipe as Listed in ASTM D2513

## DRESSER NGS Insert Stiffeners

| Pipe Size Nominal | SDR   | Stiffener O.D. ± .015 | Length |
|-------------------|-------|-----------------------|--------|
| 1-1/4             | 9.3   | 1.260                 | 7      |
|                   | 10    | 1.297                 |        |
|                   | 11    | 1.312                 |        |
|                   | 13.5  | 1.400                 |        |
| 2                 | 9.0   | 1.625                 | 7      |
|                   | 9.3   | 1.834                 |        |
|                   | 11    | 1.900                 |        |
|                   | 13.5  | 2.000                 |        |
| 3                 | 9.3   | 2.688                 | 8      |
|                   | 11    | 2.812                 |        |
|                   | 11.5  | 2.844                 |        |
|                   | 13.5  | 2.950                 |        |
| 4                 | 9.3   | 3.461                 | 8      |
|                   | 11    | 3.610                 |        |
|                   | 11.5  | 3.630                 |        |
|                   | 13.5  | 3.800                 |        |
|                   | 15.5  | 3.933                 |        |
| 17                | 4.500 |                       |        |

| Pipe Size Nominal | SDR    | Stiffener O.D. ± .015 | Length |
|-------------------|--------|-----------------------|--------|
| 6                 | 11     | 5.323                 | 8      |
|                   | 11.5   | 5.342                 |        |
|                   | 13.5   | 5.530                 |        |
|                   | 17     | 5.765                 |        |
|                   | 21     | 5.942                 |        |
|                   | 23     | 6.017                 |        |
| 8                 | 11     | 6.915                 | 8      |
|                   | 11.5   | 7.000                 |        |
|                   | 13.5   | 7.233                 |        |
|                   | 17     | 7.550                 |        |
| 10                | 21     | 7.694                 | 9      |
|                   | 11     | 8.600                 |        |
|                   | 13.5   | 9.011                 |        |
| 12                | 15.5   | 9.246                 | 9-1/4  |
|                   | 11     | 10.211                |        |
|                   | 13.5   | 10.693                |        |
| 17                | 11.097 |                       |        |



| SDR Insert | Color Code |
|------------|------------|
| 9          | Yellow     |
| 9.3        | Dark Blue  |
| 10         | Grey       |
| 11         | Black      |
| 11.5       | Red        |
| 13.5       | White      |
| 15.5       | Brown      |
| 17         | Purple     |
| 21         | Green      |

## Style 711 Reducing Couplings for PE to PE\*, PE to Steel and Steel to Steel Connections Conductive Sizes 2" - 12"

| Pipe Size Nominal | Diameter       | Product Ratings       |                                    | Polyethylene Pipe Pullout Resistance up to the Max. Wall Listed<br>Meets or Exceeds D.O.T. 192.281 (e) (See Notes) |                                 |
|-------------------|----------------|-----------------------|------------------------------------|--|---------------------------------|
|                   |                | Max. Sealing Pressure | Max. Steel Pipe Pullout Resistance | PE PIPE INSERT   | Weight per Coupling Less Insert |
| 2 x 1-1/4         | 2.375/1.660    | 150 psi               | 2,500 lbs                          | SDR 9.3  | 14                              |
| 3 x 2             | 3.500 x 2.375  | 150 psi               | 6,300 lbs                          | SDR 9.3  | 18                              |
| 4 x 2             | 4.500 x 2.375  | 150 psi               | 6,300 lbs                          | SDR 9.3  | 21                              |
| 4 x 3             | 4.500 x 3.500  | 150 psi               | 13,000 lbs                         | SDR 11   | 25                              |
| 6 x 4             | 6.625 x 4.500  | 150 psi               | 15,000 lbs                         | SDR 11   | 44                              |
| 8 x 6             | 8.625 x 6.625  | 150 psi               | 30,000 lbs                         | SDR 11   | 65                              |
| 10 x 6            | 10.750 x 6.625 | 150 psi               | 30,000 lbs                         | SDR 11   | 126                             |
| 12 x 10*          | 12.750 x 10.75 | 150 psi               | 115,000 lbs                        | SDR 11   | 177                             |

\*\* 10" Pending Availability Q4 2020

### Insulating Sizes 2" - 8"

| Pipe Size Nominal | Diameter      | Product Ratings       |                                    | Polyethylene Pipe Pullout Resistance up to the Max. Wall Listed<br>Meets or Exceeds D.O.T. 192.281 (e) (See Notes) |                                 |
|-------------------|---------------|-----------------------|------------------------------------|--|---------------------------------|
|                   |               | Max. Sealing Pressure | Max. Steel Pipe Pullout Resistance | PE PIPE INSERT   | Weight per Coupling Less Insert |
| 2 x 1-1/4         | 2.375/1.660   | 150 psi               | 2,500 lbs                          | SDR 9.3  | 14                              |
| 3 x 2             | 3.500 x 2.375 | 150 psi               | 6,300 lbs                          | SDR 9.3  | 17                              |
| 4 x 2             | 4.500 x 2.375 | 150 psi               | 6,300 lbs                          | SDR 9.3  | 21                              |
| 6 x 4             | 6.625 x 4.500 | 150 psi               | 15,000 lbs                         | SDR 11   | 45                              |
| 8 x 6             | 8.625 x 6.625 | 150 psi               | 30,000 lbs                         | SDR 11   | 56                              |

NOTE 1: For wall thickness greater than SDR listed, contact Dresser for recommendation.

Pull-out resistance is based on using Dresser reinforcing pipe inserts.

NOTE 2: For all sizes and configurations, please refer to your Dresser Price List or contact your Dresser sales representative.

\* Polyethylene Pipe as Listed in ASTM D2513

### Style 711 Line Caps and Flange Adapters for Steel (IPS) and PE\* Pipe

| Pipe Size Nominal | Diameter | Product Ratings       |                                    | PE Pipe Pullout Resistance up to the Max. Wall Listed<br>Meets or Exceeds D.O.T. 192.281 (e) | Weight per Fitting Less Insert |                |
|-------------------|----------|-----------------------|------------------------------------|--|--------------------------------|----------------|
|                   |          | Max. Sealing Pressure | Max. Steel Pipe Pullout Resistance | PE PIPE INSERT   | Line Cap                       | Flange Adapter |
| 1-1/4             | 1.660    | 150 psi               | 2,500 lbs                          | SDR 9.3  | 9                              | 11             |
| 2                 | 2.375    | 150 psi               | 6,300 lbs                          | SDR 9.3  | 13                             | 15             |
| 3                 | 3.500    | 150 psi               | 13,000 lbs                         | SDR 11   | 16                             | 20             |
| 4                 | 4.500    | 150 psi               | 15,000 lbs                         | SDR 11   | 20                             | 26             |
| 6                 | 6.625    | 150 psi               | 30,000 lbs                         | SDR 11   | 29                             | 45             |
| 8                 | 8.625    | 150 psi               | 47,000 lbs                         | SDR 11   | 38                             | 64             |
| 10**              | 10.750   | 150 psi               | 69,000 lbs                         | SDR 11   | 70                             | 105            |
| 12                | 12.750   | 150 psi               | 115,000 lbs                        | SDR 11   | 140                            | 155            |

\*\* 10" Pending Availability Q4 2020

NOTE 1: For wall thickness greater than SDR listed, contact Dresser for recommendation.

Pull-out resistance is based on using Dresser reinforcing pipe inserts.

\* Polyethylene Pipe as Listed in ASTM D2513

# Style 711 Reducing Couplings for Cast Iron Pipe

For Cast to PE and Cast to Steel

| Pipe Size Nominal | Diameter      | Product Ratings       |   | PE Pipe Pullout Resistance up to the Max. Wall Listed<br>Meets or Exceeds D.O.T. 192.281 (e) | Weight per Coupling with One Insert |
|-------------------|---------------|-----------------------|---|--|-------------------------------------|
|                   |               | Max. Sealing Pressure | Max. Cast/Steel Pipe Pullout Resistance | PE PIPE INSERT   |                                     |
| 3 x 3             | 3.800/3.500   | 60 psi                | 13,000 lbs                              | SDR 9.3  | 28                                  |
| 4 x 2             | 4.800/2.375   | 60 psi                | 6,300 lbs                               | SDR 9.3  | 29                                  |
| 4 x 3             | 4.800/3.500   | 60 psi                | 13,000 lbs                              | SDR 9.3  | 30                                  |
| 4 x 4             | 4.800/4.500   | 60 psi                | 15,000 lbs                              | SDR 11   | 32                                  |
| 4 x 4             | 5.000/4.500   | 60 psi                | 15,000 lbs                              | SDR 11   | 32                                  |
| 6 x 4             | 6.900/4.500   | 60 psi                | 15,000 lbs                              | SDR 11   | 51                                  |
| 6 x 6             | 6.900/6.625   | 60 psi                | 30,000 lbs                              | SDR 11   | 57                                  |
| 6 x 6             | 7.100/6.625   | 60 psi                | 30,000 lbs                              | SDR 11   | 57                                  |
| 8 x 6             | 9.050/6.625   | 60 psi                | 30,000 lbs                              | SDR 11   | 67                                  |
| 8 x 8             | 9.050/8.625   | 60 psi                | 47,000 lbs                              | SDR 11   | 69                                  |
| 8 x 8             | 9.300/8.625   | 60 psi                | 47,000 lbs                              | SDR 11   | 69                                  |
| 12 x 12           | 13.200/12.750 | 60 psi                | 115,000 lbs                             | SDR 11   | 152                                 |

NOTE 1: For wall thickness greater than SDR listed, contact Dresser for recommendation. Pull-out resistance is based on using Dresser reinforcing pipe inserts.

## Style 711 Insulated Line Cap for Cast Iron Pipe

Insulating Sizes 3" - 12"

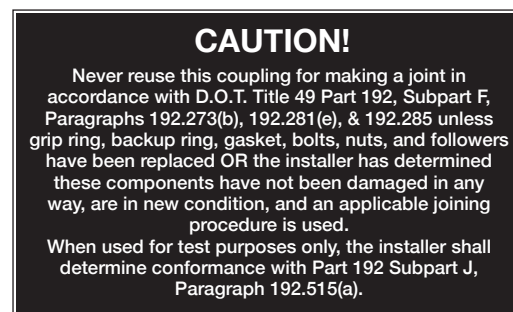
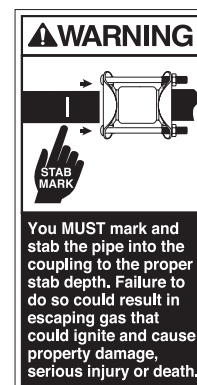
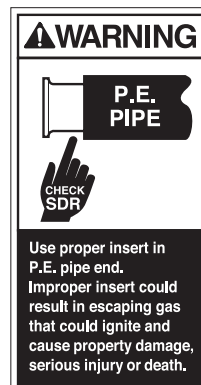
| Pipe Size Nominal | Diameter | Product Ratings       |                              | Weight per Coupling Less Insert |
|-------------------|----------|-----------------------|------------------------------|---------------------------------|
|                   |          | Max. Sealing Pressure | Max. Pipe Pullout Resistance |                                 |
| 3                 | 3.800    | 60 psi                | 13,000 lbs                   | 24                              |
| 4                 | 4.800    | 60 psi                | 15,000 lbs                   | 24                              |
| 4                 | 5.000    | 60 psi                | 15,000 lbs                   | 24                              |
| 6                 | 6.900    | 60 psi                | 30,000 lbs                   | 33                              |
| 6                 | 7.100    | 60 psi                | 30,000 lbs                   | 33                              |
| 8                 | 9.050    | 60 psi                | 47,000 lbs                   | 43                              |
| 8                 | 9.300    | 60 psi                | 47,000 lbs                   | 43                              |
| 12                | 13.200   | 60 psi                | 115,000 lbs                  | 145                             |

NOTE 1: When used on Steel or CIP, the joint must be considered a rigid connection.

### Dresser™ Pipeline Solutions

41 Fisher Avenue  
Bradford, PA 16701  
T: 814.362.9300  
F: 814.362.9344

© 2020 Natural Gas Solutions North America, LLC – All rights reserved. Natural Gas Solutions reserves the right to make changes in specifications and features shown herein, or discontinue the product described at any time without notice or obligation. Contact your Dresser Natural Gas Solutions representative for the most current information. The Dresser Logo and all Trademarks containing the term "Dresser" are the property of Dresser, LLC, a subsidiary of Baker Hughes.



**DRESSER**  
NATURAL GAS SOLUTIONS  
www.dresserngs.com

NGS-DPS-005  
711.DATA.SHEET.7.2020