

Dresser AMR Adapter for the Series B3 CTR/TC Meter



Figure 1 - AMR Adapters for Dresser NGS Series B3 Meter

Dresser Natural Gas Solution (NGS)'s residential AMR Adapter for the Series 3 CTR/TC index units allows you to mount an Itron® Residential ERT® 40G for Invensys or American Meters directly onto a Dresser NGS Series B3 Rotary Meter. Additionally, the Adapter facilitates the mounting of a Cellnet Module directly to the end of a Dresser NGS Rotary Meter.

The design utilizes a Series 3 Lexan® cover with an opening to engage the ERT or Cellnet module in a direct drive link to the gear reduction unit. Our proven ID seal system between the adapter and the Series 3 cover provides a barrier against moisture intrusion into the oil free cover. The AMR Adapter is fastened to the Series 3 cover from the inside providing a tamper proof design. Slip flange and mounting screws are not included.

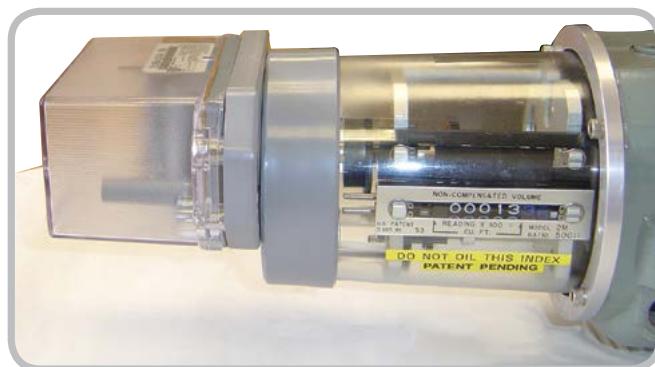


Figure 2 - AMR Adapter and ERT installed on a Dresser NGS Meter (top inlet meter installation shown)

Our new direct drive AMR Adapter offers you a low cost solution for Series B3 CTR or TC meters in applications that require the adaptation of a Residential ERT or Cellnet AMR. You will also benefit from ease of use with this design compared to the currently available solutions for Instrument Drive and Solid State Pulser version meters that connect to AMR devices.

The AMR Adapter is available as a conversion kit for field installation or factory installed on new meters.

Lexan is a registered trademark of Sabic Global Technologies B.V.
Itron and ERT are registered trademarks of Itron, Inc.

Dresser NGS Series B3 Meter Drive Rates

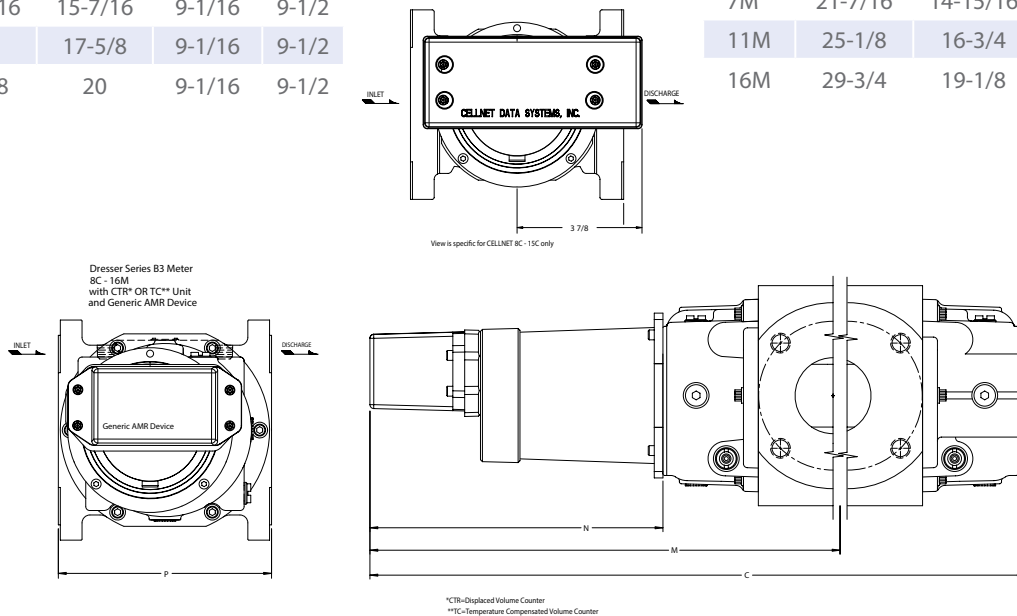
Meter Size Counter Version (CTR)	Meter Drive Rate	Q Max CFH	Meter Size Counter Version (CTR)	Meter Drive Rate	Q Max CFH
8C175	10	800	11M175	10	11000
11C175	10	1100	16M175	100	16000
15C175	10	1500	23M232	100	23000
2M175	10	2000	23M175	100	23000
3M175	10	3000	38M175	100	38000
5M175	10	5000	56M175	100	56000
7M175	10	7000			

Meter Size TC Version	Meter Drive Rate	Q Max CFH
8C175	100	800
11C175	100	1100
15C175	100	1500
2M175	100	2000
3M175	100	3000
5M175	100	5000
7M175	100	7000
11M175	100	11000
16M175	1000	16000

Dimensional Drawing

Model	Dims. INVENSYS/AMERICAN ERT's (in)			
	C	M	N	P
8C	18-1/8	13-7/16	9-1/16	6-3/4
11C	18-11/16	13-11/16	9-1/16	6-3/4
15C	19-5/8	14-3/16	9-1/16	6-3/4
2M	20-1/8	14-3/8	9-1/16	6-3/4
3M	21-1/4	15	9-1/16	6-3/4
5M	24-3/16	16-7/16	9-1/16	6-3/4
7M	21-15/16	15-7/16	9-1/16	9-1/2
11M	26	17-5/8	9-1/16	9-1/2
16M	30-5/8	20	9-1/16	9-1/2

Model	Dims. CELLNET (in)			
	C	M	N	P
8C	17-1/4	12-9/16	8-3/16	6-3/4
11C	17-13/16	12-13/16	8-3/16	6-3/4
15C	18-3/4	13-5/16	8-3/16	6-3/4
2M	19-3/16	13-1/2	8-3/16	6-3/4
3M	20-3/8	14-1/8	8-3/16	6-3/4
5M	23-5/16	15-9/16	8-3/16	6-3/4
7M	21-7/16	14-15/16	8-3/16	9-1/2
11M	25-1/8	16-3/4	8-3/16	9-1/2
16M	29-3/4	19-1/8	8-3/16	9-1/2



Dresser Meters & Instruments

16240 Port Northwest Drive

Houston, TX 77041

T: 1-800-521-1114

F: 1-800-335-5224

The Dresser Logo and all Trademarks containing the term "Dresser" are the property of Dresser, LLC, a subsidiary of Baker Hughes, a GE Company.



www.dresserngs.com

Series B3 AMR Adapter Fact Sheet NGS.MI.0020A